

PCM

SWISS



PRECISION TOOLING

www.pcm.ch



EXPERIENCE &
QUALITY

PCM WILLEN S.A.
Z. Industrielle C,
Rte. Du Grammont 101
CH-1844 Villeneuve

Tel: +41(0)21 967 33 66
Fax: +41(0)21 960 38 95
E-Mail: office@pcm.ch





PCM

SWISS

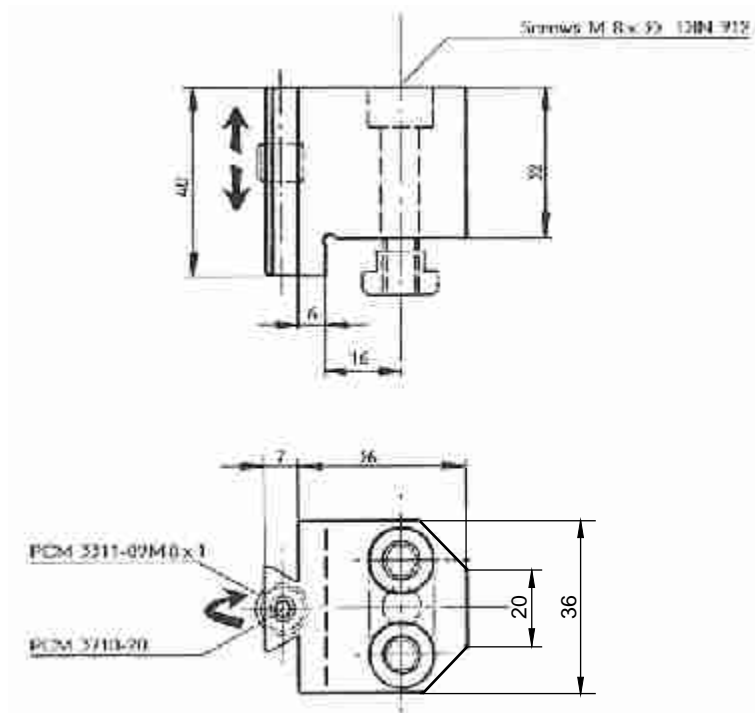


PRECISION TOOLING

HARDINGE CHNC



3311-TSH



www.pcm.ch



PCM

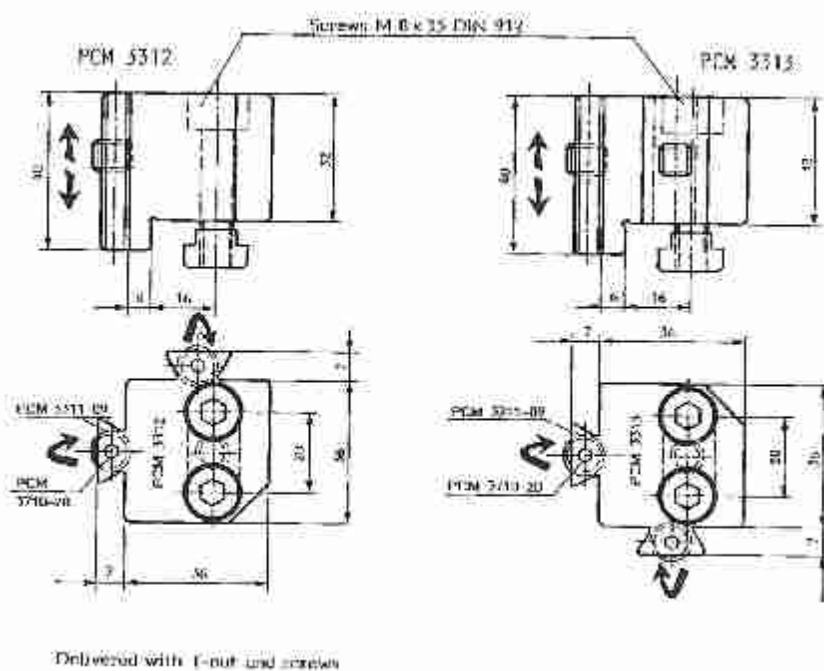
SWISS 

PRECISION TOOLING

HARDINGE CHNC



3312 / 3313



www.pcm.ch

Tel: +41(0)21 967 33 66
Fax: +41(0)21 960 38 95
E-Mail: office@pcm.ch

PCM WILLEN S.A.
Z. Industrielle C,
Rte. Du Grammont 101
CH-1844 Villeneuve



PCM

SWISS



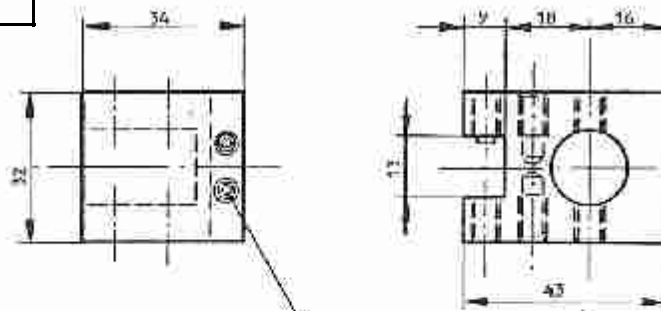
PRECISION TOOLING

HARDINGE CHNC



3728-TSH / 3729-TSH

PCM N°	D
3728-TSH	15.875
3729-TSH	16



M 6 x 10 DIN 915

Screws M 5 x 6 DIN 913 and clamping piece PCM 3700-12

M 6 for centre height adjustment by removable stop 3739-2B

Thread M 8 x 1 for centre height adjustment by endless screw

Utilization with PCM serie 3311 and 3312 for centre height adjustment by endless screw

" " " " 3313 and 3314 " " " by stop screw 3739-2B

www.pcm.ch



PCM

SWISS 

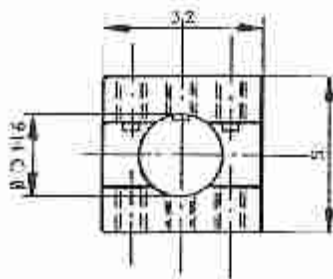
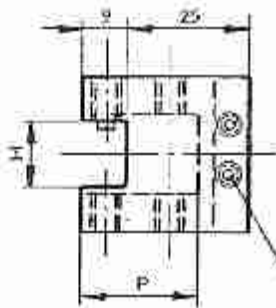
PRECISION TOOLING

HARDINGE CHNC

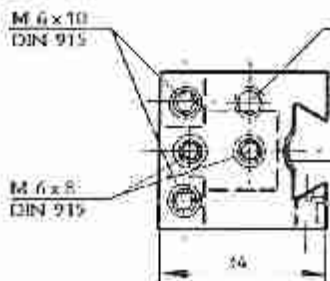


3740-TSH

PCM N°	D	H	P	S
3740-TSH	16	13	24	32



Screws M 5 x 6, DIN 913 and clamping piece 1934 3700-1?



M 6 for centre height adjustment by removable stop 3739-28

Thread M 6 x 1 for centre height Adjustment by endless screw

Utilization with PCM serie 3311 and 3312

centre height adjustment by endless screw

" " " " 3313 and 3314

" " " " by stop screw 3739-28

www.pcm.ch



PCM

SWISS

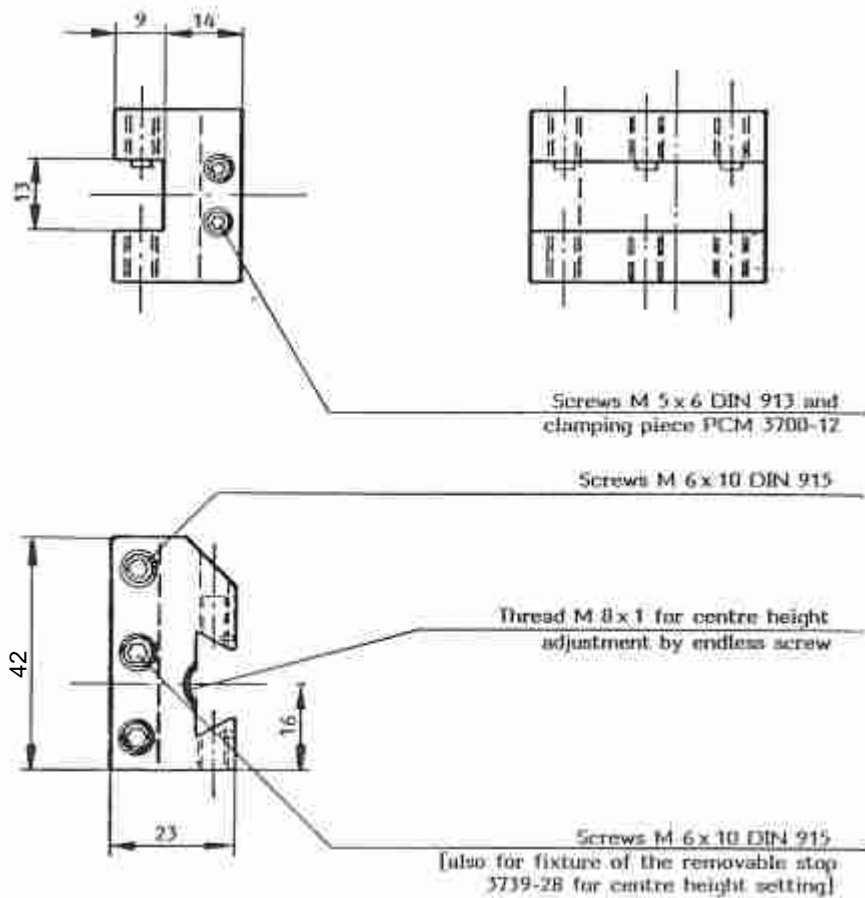


PRECISION TOOLING

HARDINGE CHNC



3742



www.pcm.ch



PCM

SWISS



PRECISION TOOLING

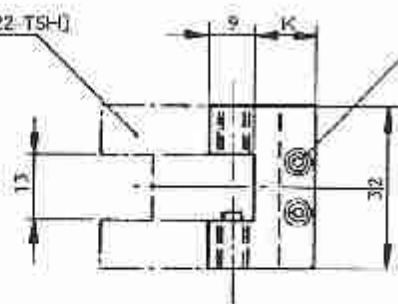
HARDINGE CHNC



3721-TSH / 3722-TSH

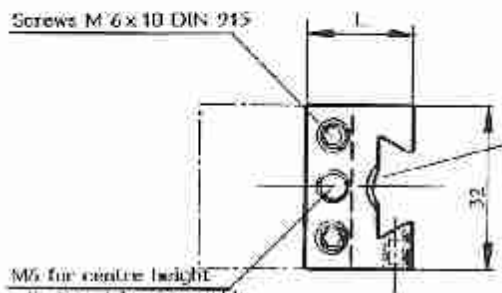
PCM N°	K	L
3721-TSH	12	21
3722-TSH	33	42

(PCM 3722-TSH)



Screws M 5x6 DIN 913 and clamping piece PCM 3700 12

Screws M 6 x 10 DIN 915



Thread M 8 x 1 for centre height adjustment by endless screw.

M6 for centre height adjustment by removable stop 3739-20

www.pcm.ch

Tel: +41(0)21 967 33 66
Fax: +41(0)21 960 38 95
E-Mail: office@pcm.ch

PCM WILLEN S.A.
Z. Industrielle C,
Rte. Du Grammont 101
CH-1844 Villeneuve



PCM

SWISS



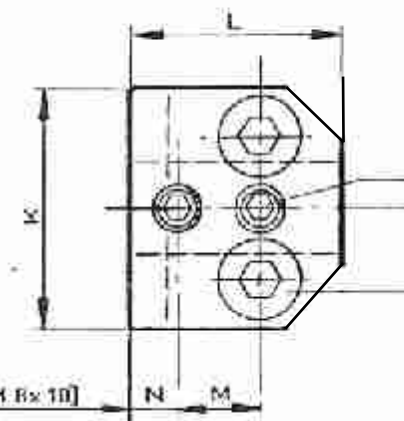
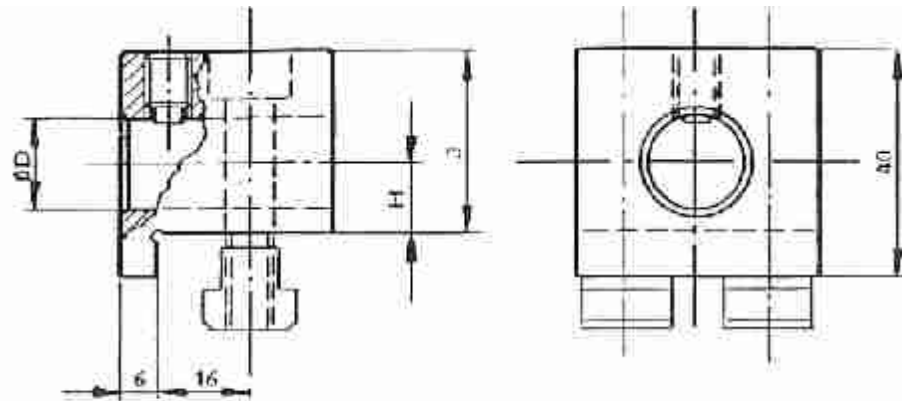
PRECISION TOOLING

HARDINGE CHNC



3316 - 3317 Series

PCM N°	D	H	J	K	L	N	M
3316-12-TSH	19.05	12	32	48	40	10	20
3316-127-TSH	19.05	12.7	32.7	48	40	10	20
3317-12-TSH	20	12	32	48	40	10	20
3317-127-TSH	20	12.7	32.7	48	40	10	20



Screws M 8 x 10 / M 8 x 12 - DIN 915

Screws M 8 x 35 [M 8 x 40] - DIN 915

[for M 8 x 10]

www.pcm.ch

PCM WILLEN S.A.
Z. Industrielle C,
Rte. Du Grammont 101
CH-1844 Villeneuve

Tel: +41(0)21 967 33 66
Fax: +41(0)21 960 38 95
E-Mail: office@pcm.ch



PCM

SWISS 

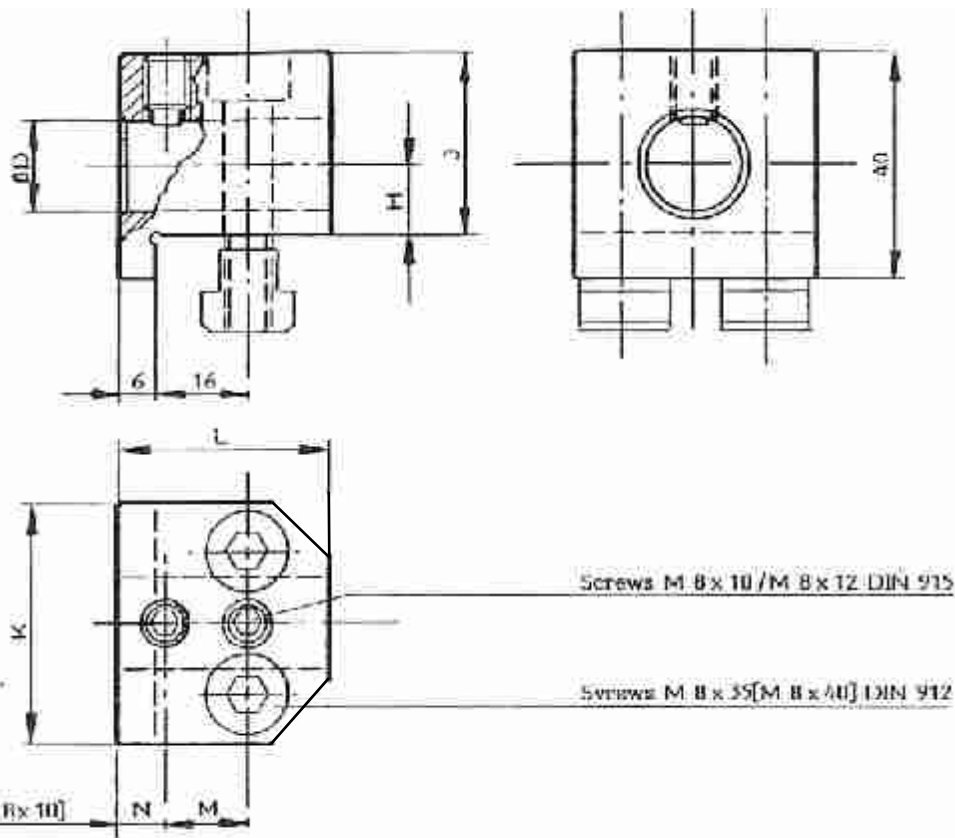
PRECISION TOOLING

HARDINGE CHNC



3318 - 3319 Series

PCM N°	D	H	J	K	L	N	M
3318-127-TSH	15.875	12.7	32.7	42	36	8	14
3319-12-TSH	16	12	32	42	36	8	14
3319-127-TSH	16	12.7	32.7	42	36	8	14



www.pcm.ch



PCM

SWISS



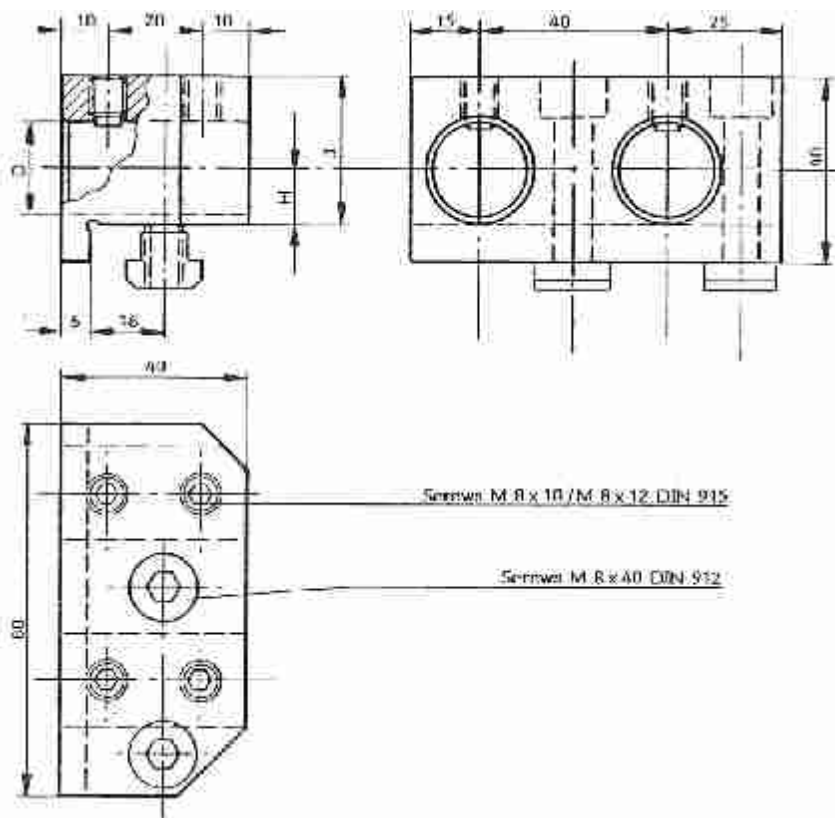
PRECISION TOOLING

HARDINGE CHNC



3326 - 3327 Series

PCM N°	D	H	J
3326-12-TSH	19.05	12	32
3326-127-TSH	19.05	12.7	32.7
3327-12-TSH	20	12	32
3327-127-TSH	20	12.7	32.7



www.pcm.ch

PCM WILLEN S.A.
 Z. Industrielle C,
 Rte. Du Grammont 101
 CH-1844 Villeneuve

Tel: +41(0)21 967 33 66
 Fax: +41(0)21 960 38 95
 E-Mail: office@pcm.ch



PCM

SWISS 

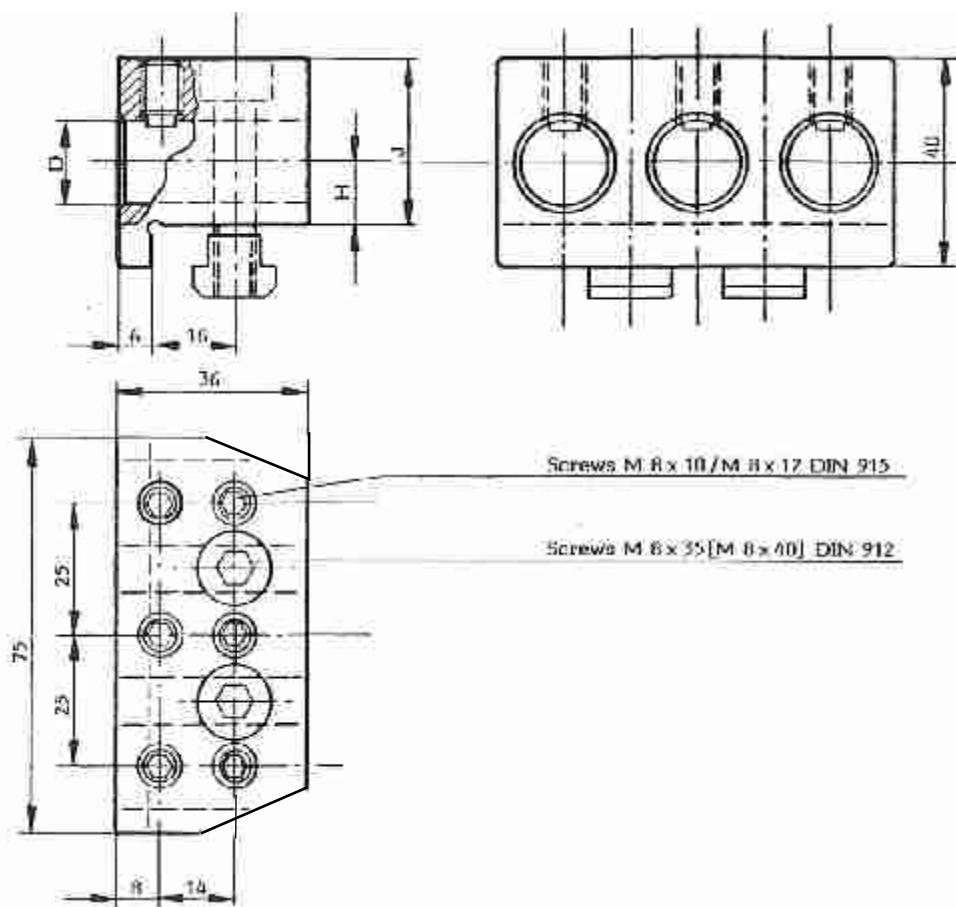
PRECISION TOOLING

HARDINGE CHNC



3328 - 3329 Series

PCM N°	D	H	J
3328-127-TSH	15.875	12.7	32.7
3329-12-TSH	16	12	32
3329-127-TSH	16	12.7	32.7



www.pcm.ch

Tel: +41(0)21 967 33 66
 Fax: +41(0)21 960 38 95
 E-Mail: office@pcm.ch

PCM WILLEN S.A.
 Z. Industrielle C,
 Rte. Du Grammont 101
 CH-1844 Villeneuve



ESPRIT D'EQUIPE

MAKE THE DIFFERENCE



PCM WILLEN S.A.
Z. Industrielle C,
Rte. Du Grammont 101
CH-1844 Villeneuve
Tel: +41(0)21 967 33 66
Fax: +41(0)21 960 38 95
E-Mail: office@pcm.ch

EXPERIENCE
&
QUALITY

www.pcm.ch

