



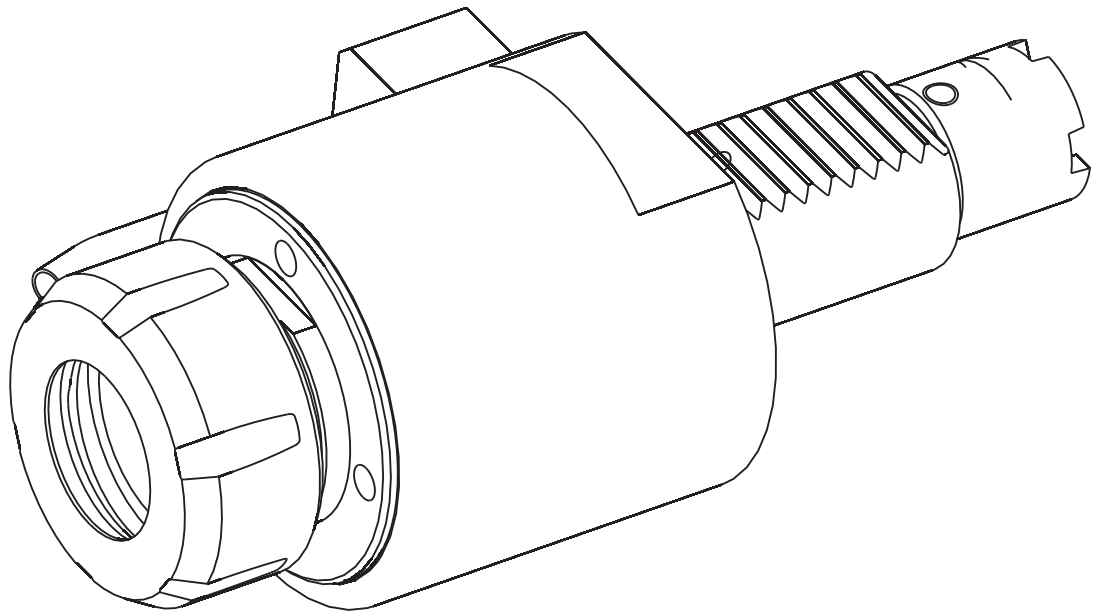
PCM

SWISS



PRECISION TOOLING

TOOL HOLDERS FOR OKUMA



www.pcm.ch

www.pcm.ch

EXPERIENCE &
QUALITY

PCM WILLEN S.A.
Z. Industrielle C,
Rte. Du Grammont 101
CH-1844 Villeneuve

Tel: +41(0)21 967 33 66
Fax: +41(0)21 960 38 95
E-Mail: office@pcm.ch



PCM

SWISS

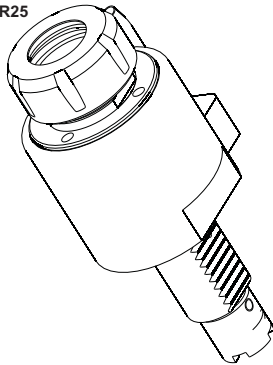


PRECISION TOOLING

OKUMA

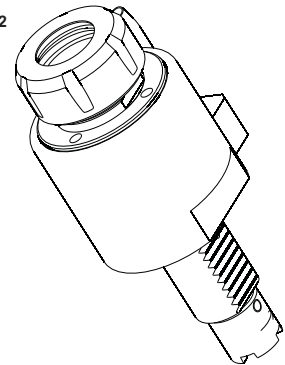
22713

ER25



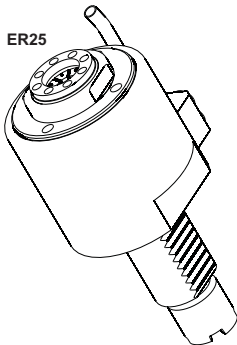
22513

ER32



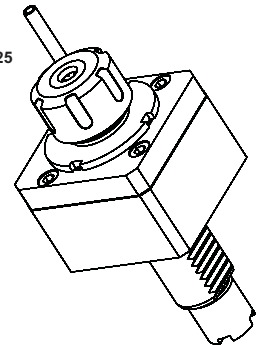
22413

ER25



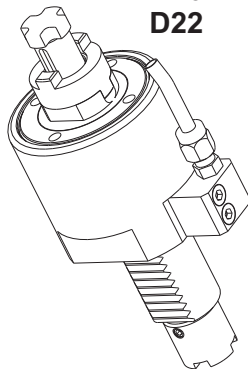
V30-AX-ER25

ER25



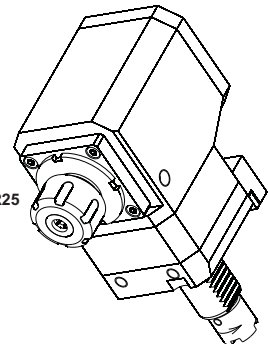
V30-AF-

D16
D22



V30-RC-090-RK

ER25



www.pcm.ch



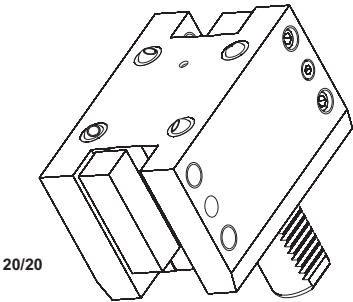
PCM

SWISS 

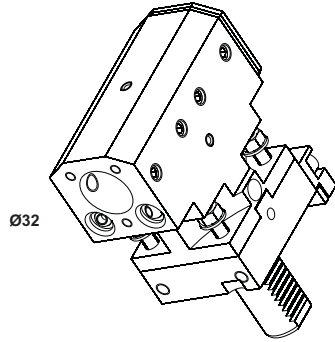
PRECISION TOOLING

OKUMA

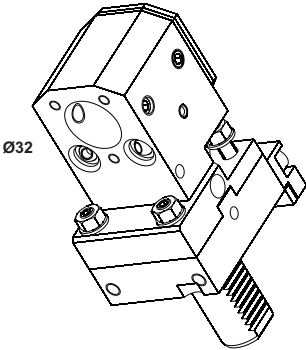
V30-POAX



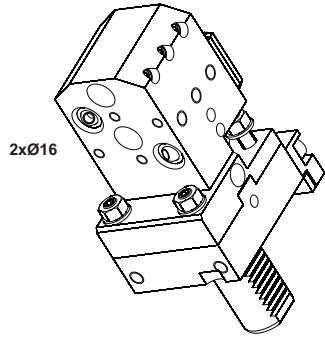
V30-PB-32x2



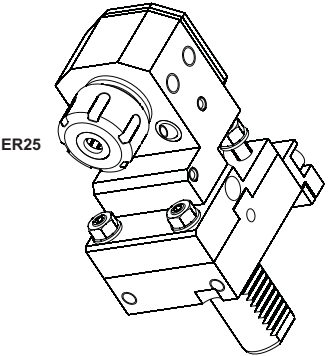
V30-PB-1x32



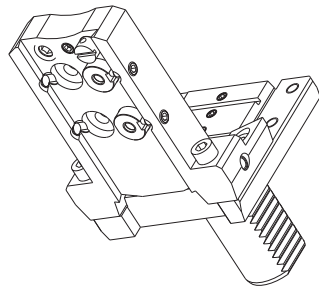
V30-PB-2x16



V30-POPI-25



V30-284



www.pcm.ch

Tel: +41(0)21 967 33 66
Fax: +41(0)21 960 38 95
E-Mail: office@pcm.ch

PCM WILLEN S.A.
Z. Industrielle C,
Rte. Du Grammont 101
CH-1844 Villeneuve



ESPRIT D'EQUIPE

MAKE THE DIFFERENCE



PCM WILLEN S.A.
Z. Industrielle C,
Rte. Du Grammont 101
CH-1844 Villeneuve
Tel: +41(0)21 967 33 66
Fax: +41(0)21 960 38 95
E-Mail: office@pcm.ch

EXPERIENCE
QUALITY
&

www.pcm.ch

